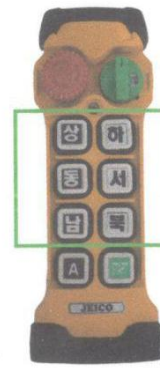
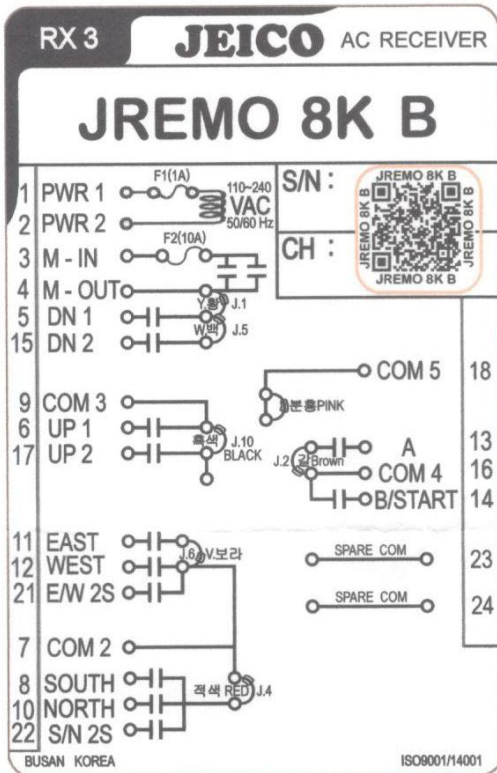


Setting Device :		Remote Model :	JREMO 8K
Setting Place :		Supplier :	

Crane & Hoist Double 8 P/B

24 Core Cable



Double: 8KB

Tx



RX3 Receiver

- Tx & Rx Size
 - TX : 173 x 62 x 46 mm, Approx. 355 Gr.
 - RX3: 90 x 215 x 105 mm, Approx. 1,350 Gr.(Cable & Setting plate incl.)
 - IP level : IP55(TX), IP66(RX)
- Stanby (Standard) : EMS UP ⇔ KEY ON Stanby
(Option) : EMS UP ⇔ KEY ON ⇔ (P/W or P/B) Stanby
- Cable SEPC. : 0.75 SQ, 600VAC, Approx. 1.7M, 24 CORE Number Cable
- RELAY SPEC. : "A" CONTACT, 250VAC/5A, 125VAC /10A
- FUSE (20MM Glass fuse) 1A(F1), 10A(F2)
- POWER : AC 100 ~ 240V 50/60Hz Free Volts (Option : AC48V,380V,440V)
DC 12 ~ 40V (JREMO 8K M model)
- Standard Rx Setting : Auto off after 1 hour non-use.
- For 8Double P/B : JREMO 10K D model use.